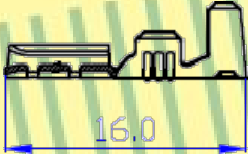

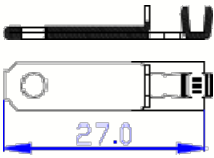
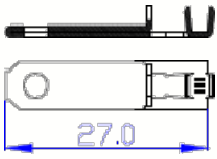


TERMINALS

22000 Old index E-D165E-THB		2:1
		Material: BRASS Color: Applications:

22001 Old index E-PN187W-C-HB		1:1
		Material: BRASS Color: Applications:

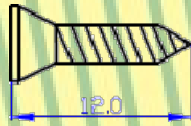
22002 Old index E-SRA1-A-HB		1:1
		Material: BRASS Color: Applications:

22003 Old index E-SRA1-ARB-HB		1:1
		Material: BRASS Color: Applications:

TERMINALS

22004

Old index



2:1

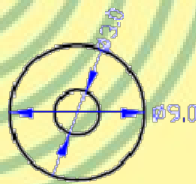
Material: STEEL

Color:

Applications:

22005

Old index



2:1

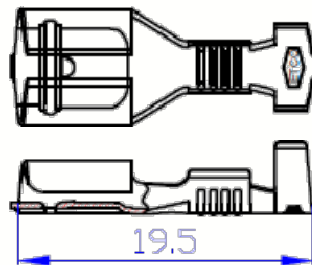
Material: STEEL

Color:

Applications:

22006

Old index E-D265E-N-THB



2:1

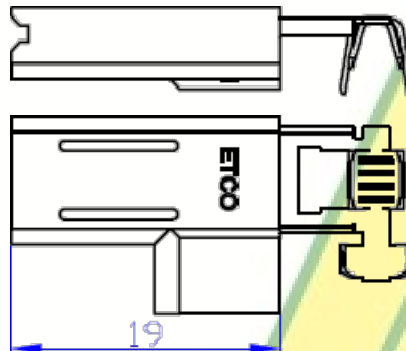
Material: BRASS

Color:

Applications:

22007

Old index E-PDF224-FR-HN-THB



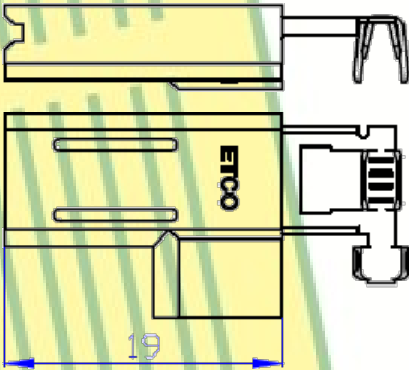
2:1

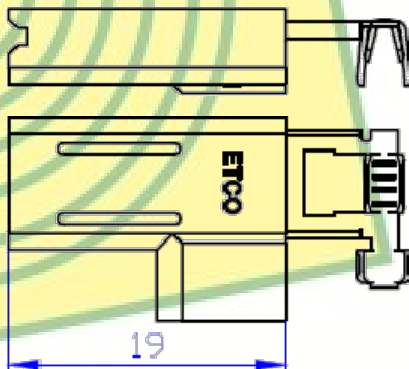
Material: BRASS, NYLON

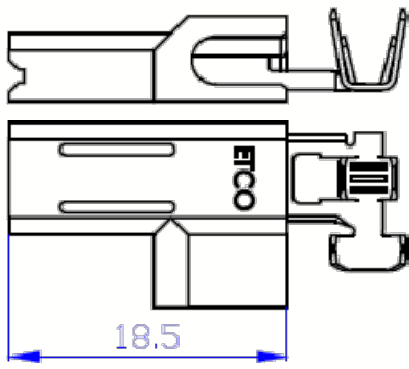
Color:

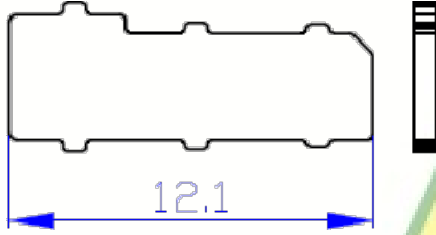
Applications:

TERMINALS

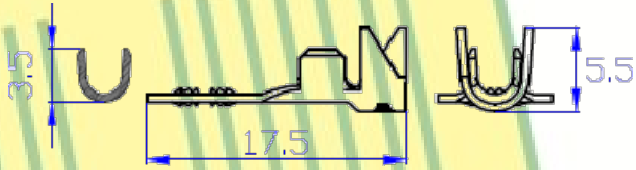
22008 Old index E-PDF225-FR-THB		2:1
		Material: BRASS, NYLON
		Color:
		Applications:

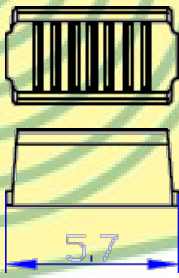
22009 Old index E-PDF224-CB-FR-THB		2:1
		Material: BRASS, NYLON
		Color:
		Applications:

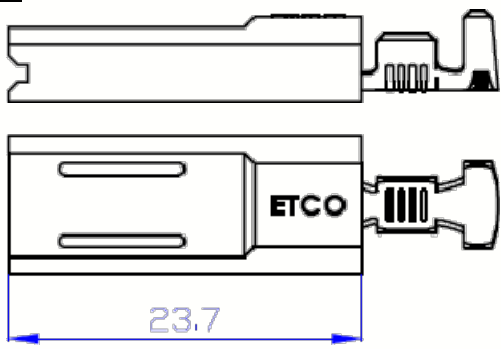
22010 Old index E-PDF125N-FR-THB		2:1
		Material: BRASS, NYLON
		Color:
		Applications:

22011 Old index E-F29-Cover		4:1
		Material: POLYPROPYLEN
		Color:
		Applications:

TERMINALS

22012 Old index E-51648	2:1
	Material: PHOSPHOR BRONZE Color: Applications:

22013 Old index E-UB1-HB	4:1
	Material: BRASS Color: Applications:

22014 Old index E-PD260N-FR-HB	2:1
	Material: BRASS, NYLON Color: Applications: